



Ultra-Compact Router designed for data transport and high availability of critical connections.

Wireless 2G/3G/4G

Ethernet/Serial interface

Redundancy management(SIM)

Optionals I/O

Safe console operation

Remote Management/Integrable in platforms

Very low consumption

Variety of local accesses



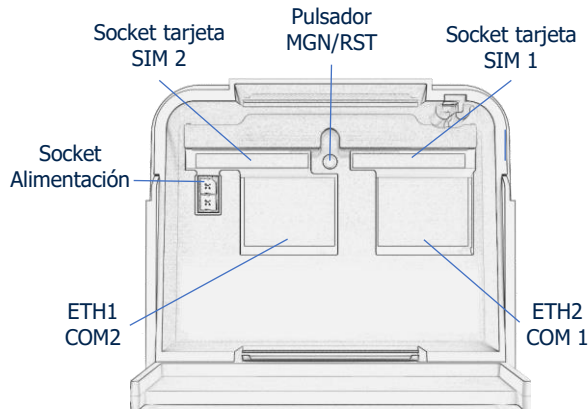
## DATA SHEET

## Product Images

### Dimensions



### Interfaces Hardware



### Mural Mounting/DIN



## Hardware Specifications and Interfaces



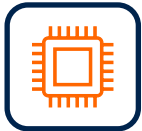
Conectividad  
4G LTE / 3G / 2G



SMA external antenna  
connector + diversity



Polycarbonate  
enclosure with  
sealable cover



Hardware Platform  
Embedded



SIM Card 1.8/3v



130x60x48 mm  
HxWxD with cover



Serial Ports RS232 y RS485  
full/half dúplex 0,5Mb max  
Ports ETH 10/100Mb



6 x status and  
operation LEDs



Weight: 150 grs.



IPS (75-265Vac/60-380Vdc)  
CPS (9-36Vdc)  
XPS (18-76Vdc)



Wall mounting bracket  
DIN rail accessory



IP 54



Super Capacitor backup  
Optional battery(ETH version)



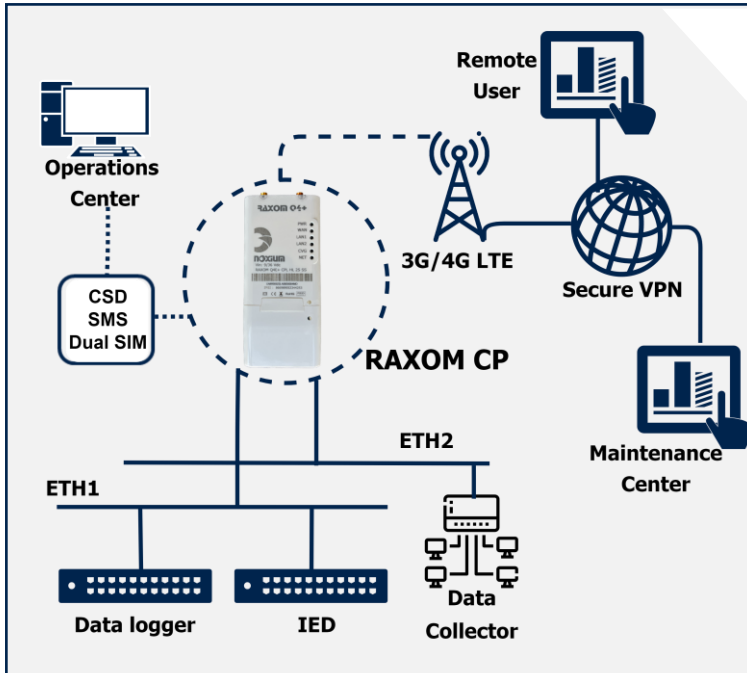
Isolation 3.75kV  
Network to data



Operating Temperature  
- 20° a 85°C  
HR 98% SC

## Device for connectivity to cellular mobile networks in Industrial Telecontrol and Supervision applications.

### Application Example



### Main Features

- Allows the connection of intelligent devices to the IP world.
- Enables remote management of controllers/registrars with RS232 serial access via RS485 bus or Ethernet network.
- Securely and reliably monitors real-time information of distributed critical facilities and infrastructures.
- Allows efficient management with data automation and data analysis in management platforms.

### Recommended Uses

- Smart Metering
- Vending Management
- Smart Building
- Infrastructure Supervision
- Environmental Monitoring
- Smart City
- Industry 4.0

4G 3G 2G	Security/ Tunneling/Authentication	SSH HTTPS VPN
-------------	---------------------------------------	---------------------

It works in "secure connection" mode with monitoring of the links with tunneling, authentication and encryption protocols. Versions are available according to network technology with operator redundancy.

RS232 RS485 Eth	Telemetry Telecontrol Industrial	Power AC/DC
-----------------------	-------------------------------------	----------------

Compact, ergonomic, easy to install, use and diagnose. Robust and compatible in harsh environments such as electrical substations, certified to IEC61000-6-5 as Telecommunications Equipment.



## Supported bands by region

Model	LTE FDD	LTE TDD	WCMA/HSPA	GPRS/EDGE
<b>Q4L (LATAM)</b>	B1/B3/B4/B5/B7/B8/B28	B40	B1/B2/B4/B5/B8	B2/B3/B5/B8
<b>Q4E (Europa &amp; Asia)</b>	B1/B3/B5/B7/B8/B20/B28	B38/B40/B41	B1/B5/B8	B3/B8
<b>Q4G (Global)</b>	B1/B2/B3/B4/B5/B7/B8/B12/ B13/B18/B19/B20/B25/B26/B28	B38/B39/B40/B41	B1/B2/B4/B5/B6/B8/B19	B2/B3/B5/B8
<b>Q4N (North America)</b>	B2/B4/B5/B12/B13/B14/B66/B71	---	B2/B4/B5	---

## Features

Features	LTE FDD	LTE TDD	WCDMA/HSPA	GPRS/EDGE
<b>Speed</b>	150 (DL)/ 50 (UL)	130 (DL)/ 30 (UL)	384 (DL)/ 384 (UL) 42 (DL)/ 5.76 (UL)	296 (DL)/ 236.8 (UL) 107 (DL)/ 85.6 (UL)
<b>Powers</b>	Max Output Power Class 3 (23dBm±2dB)	Class 3 (23dBm±2dB)	Max Output Power Class 3 (23dBm+1/-3dB)	Max Output Power Class 4 (33dBm±2dB) Class 1 (30dBm±2dB)



## Ordering information

Product code: RAXOM CP – aa – bb – cc – dd – ee – ff – gg – hh – ii

aa*	Wireless connectivity	bb	Hardware Version	cc	Network Interfaz	dd	Serial Interface
Q4x	LTE-Cat1	HL	Lite	1S	1 Network Port	CB	1 RS232/485
Q4x+	LTE-Cat4			2S	2 Network Port	DB	1 RS232 DB9

x*	Region	eeey*	Power	ff	Duality
E	Europe	IPS	Universal AC/DC	SS	Simple SIM
L	South America	CPS	Isolate DC 9-36Vdc	DS	Dual SIM
A	North America	XPS	DC 18-72Vdc		
G	Global	DCS	DC 9-36Vdc no isolate	gg	Soft Package

y*	Connector Type
c	Microfit 3.0
b	Borna 5.08
e	IEC C8

hh	Auxiliary Module	ii	Accessories available
2I	2 in	RC	With accessories
2O	2 out	XR	Antennas. Specific antennas, check availability
2I2O	2 in+2 out	XC	Serial cable

### Example Product Ordering Code:

**RAXOM CP Q4L HL 2S IPS  
SS Vx 2I XR1**

Compact plastic router with 2G/3G/4G Cat1 radio for LATAM bands, equipped with 2 10/100BaseT network ports and two potential-free digital inputs. Powered AC from 75 to 265Vac or DC from 50 to 400Vdc by IEC08 type plug connector with supercap backup for sending events. Includes type 1 antenna as accessory.

