



Ultra-Compact Modem/Router. Designed for secure data transport and high availability in industrial environments

Wireless 2G/3G/4G

Ethernet/Serial/bus interface

Redundancy management (SIM)

Optional I/O customization

Secure management by console/SNMP

Remote management/platform integration

Very low power consumption, no fans

Wifi LAN options



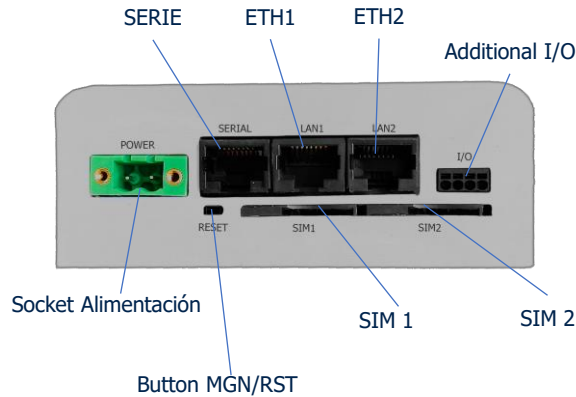
## DATA SHEET

## Product Images

**Dimensions**



**Interfaces Hardware**



**Mural Mounting/DIN**



## Hardware Specifications and Interfaces



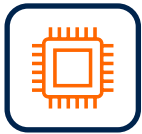
Conectivity  
4G LTE / 3G / 2G



2 x SMA connector  
external antennas +  
diversity



Envolvente  
policarbonato  
compacto V0



Hardware Platform  
With Soak SO Linux



SIM Card 1.8/3v  
Dual



100x100x45 mm  
HxWxD sin cubrehilos



Serial Ports RS232 & RS485  
full/half dúplex 0,5Mb max  
ETH optional 100Mb



6 x status and  
operation LEDs



Peso: 250 grs.



IPS (75-265Vac/48-400Vdc)  
CPS (9-36Vdc)  
XPS (18-76Vdc)  
EPS (9-63Vdc)



Mural mounting  
DIN rail accessory



IP 55



Back-up Super Capacitor



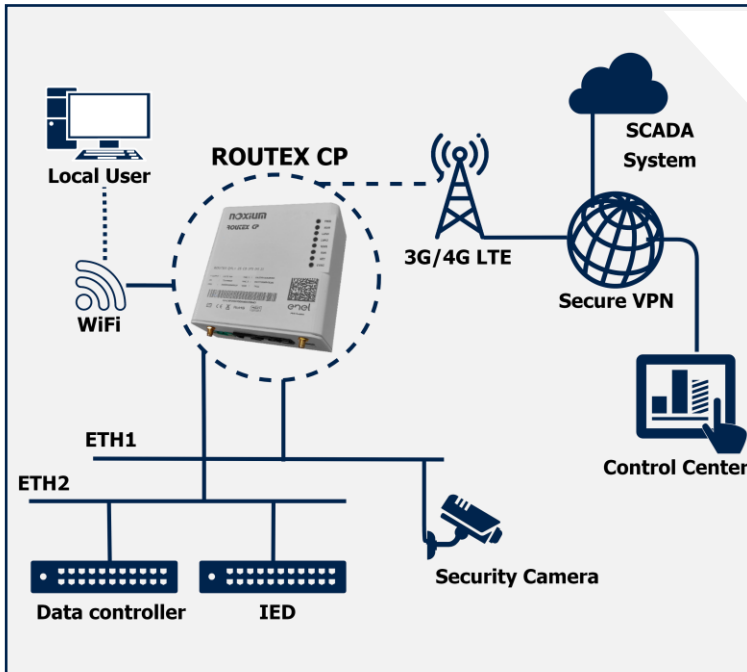
Isolate 3.75kV  
red a datos



Temperatura Operación  
- 20° a 85°C  
HR 98% SC

## Device for connectivity to cellular mobile networks in Industrial Telecontrol and Supervision applications.

### Application Example



### Main Features

- Allows the connection of intelligent devices to the IP world.
- Enables remote management of controllers/registrars with RS232 serial access via RS485 bus or Ethernet network.
- Securely and reliably monitors real-time information of distributed critical facilities and infrastructures.
- Allows efficient management with data automation and data analysis in management platforms.

### Recommended Uses

- Smart Metering
- Vending Management
- Smart Building
- Infrastructure Supervision
- Environmental Monitoring
- Smart City
- Industry 4.0

4G 3G 2G	Security/ Tunneling/Authentication	SSH HTTPS VPN
-------------	---------------------------------------	---------------------

It works in "secure connection" mode with monitoring of the links with tunneling, authentication and encryption protocols. Versions are available according to network technology with operator redundancy.

RS232 RS485 Eth	Telemetry Telecontrol Industrial	Power AC/DC
-----------------------	-------------------------------------	----------------

Compact, ergonomic, easy to install, use and diagnose. Robust and compatible in harsh environments such as electrical substations, certified to IEC61000-6-5 as Telecommunications Equipment.

## Supported bands by region

Model	LTE FDD	LTE TDD	WCMA/HSPA	GPRS/EDGE
<b>Q4L (LATAM)</b>	B1/B3/B4/B5/B7/B8/B28	B40	B1/B2/B4/B5/B8	B2/B3/B5/B8
<b>Q4E (Europe &amp; Asia)</b>	B1/B3/B7/B8/B20/B28a	B38/B40/B41	B1/B5/B8	B3/B8
<b>Q4G (Global)</b>	B1/B2/B3/B4/B5/B7/B8/B12/ B13/B18/B19/B20/B25/B26/B28	B38/B39/B40/B41	B1/B2/B4/B5/B6/B8/B19	B2/B3/B5/B8
<b>Q4N (North America)</b>	B2/B4/B5/B12/B13/B14/B66/B71	---	B2/B4/B5	---

## Features

Features	LTE FDD	LTE TDD	WCDMA/HSPA	GPRS/EDGE
<b>Speeds</b>	150 (DL)/ 50 (UL)	130 (DL)/ 30 (UL)	384 (DL)/ 384 (UL) 42 (DL)/ 5.76 (UL)	296 (DL)/ 236.8 (UL) 107 (DL)/ 85.6 (UL)
<b>Powers</b>	Max Output Power Class 3 (23dBm±2dB)	Class 3 (23dBm±2dB)	Max Output Power Class 3 (24dBm+1/-3dB)	Max Output Power Class 4 (33dBm±2dB) Class 1 (30dBm±2dB)



## Ordering information

Product Code: ROUTEX CP – aax – bb – cc – dd – eey – ff – gg – hh – ii

aax*	Wireless connectivity	bb	Hardware Version	cc	Network Interfaz	dd	Serial Interface
Q4x	LTE-Cat1	HE	Standar	1S	1 Network Port	CB	1 RS232/485
Q4x+	LTE-Cat4	HL	Lite	2S	2 Network Port	DB	1 RS232 DB9
				6S	5 SW +1 Network Port	C1	1 RS232

x*	Region	eey*	Power	y*	Connector Type	ff	Duality
E	Europe	IPS	Universal AC/DC	c	Microfit 3.0	SS	Simple SIM
L	Latin America	CPS	Isolate DC 9-36Vdc	b	Borna 5.08	DS	Dual SIM
A	North America	EPS	9-36Vdc no isolate	e	IEC C8		
G	Global	XPS	DC 18-72Vdc				
		DCS	DC 9-36Vdc				

hh	Auxiliary Module	gg	Soft package	ii	Accessories available
2I	2 In	Vx	Telemetry	RC	With accessories
2O	2 Outs	Vg	GW 101-104	XR	Antennas. Specific antennas, check availability
BB	1 RS485 Half	Vp	GW PRIME	XC	Serial cable
				XP	Power cable

### Example Product Ordering Code:

**ROUTEX CP Q4L HE 2S CB  
IPSe C SS Vx 2I WB XR1**

Plastic compact router with 2G/3G/4G Cat1 radio for bands in South America, equipped with 2 10/100BaseT network ports, an alternative RS232/RS485 port and two potential-free digital inputs. It is powered in alternating from 75 to 265Vac or continuous from 50 to 400Vdc by IEC08 type plug connector with supercap backup for sending events. It has Wifi and bluetooth Internal. Includes antenna type 1 as accessory

